

# Actuator for surgical tables and procedure chairs – series CAMT



Assisting surgical teams worldwide, enabling better comfort and care

Today medical equipment needs to enable faster, safer, more reliable diagnostics and treatments. Also keeping in mind that the equipment must be easy to use and ergonomically comfortable for both patient and caregiver.

## Nearly play free electromechanical actuation

The new SKF actuator offer provides nearly play free motion in push and pull direction. All aspects of play, like gear box, screw and attachments have been covered to eliminate play for patient confidence and safety. The time of a shaky patient seat or backrest is over.

## Accessories play free ready to mount

Easy to assembly with optional play free front and rear attachments with one or two degree of freedom in motion. The accessories offer a plug and play installation of a procedure patient chair with tilting motion in lateral and/or longitudinal direction.

## Save space with compactness

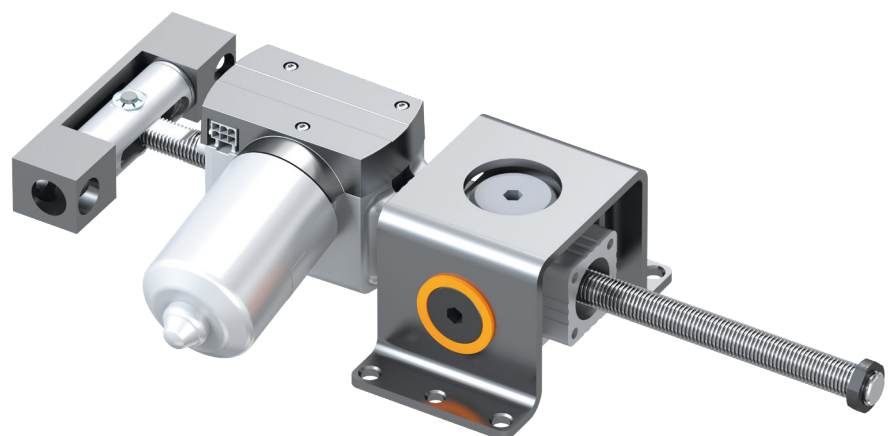
When mounted to a pillar or elsewhere a very small footprint of the actuator is granted with the screw jack design. The compact gear box supports maximum stroke at a given length.

## Benefits

- Nearly play free motion
- Ready to mount with accessories
- Save space with compactness
- Comply with medical norms
- Virtual maintenance-free
- Plug and play with SKF pillars and control boxes

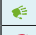


## Applications




- Longitudinal tilt
- Lateral tilt
- Backrest tilt
- Footrest tilt



## Suitable control units and accessories

## Basic technical data of series CAMT

Control unit		SCU1	SCU5	SCU9	VCU5	VCU8	VCU9	*BCU5	*BCU8
	EHA3	•	•	•	•	•	•	•	•
	STJ	•	•	•	•	•	•	•	•
	STE	•	•	•	•	•	•	•	•

 Hand switch  
 Foot switch  
 Desk switch

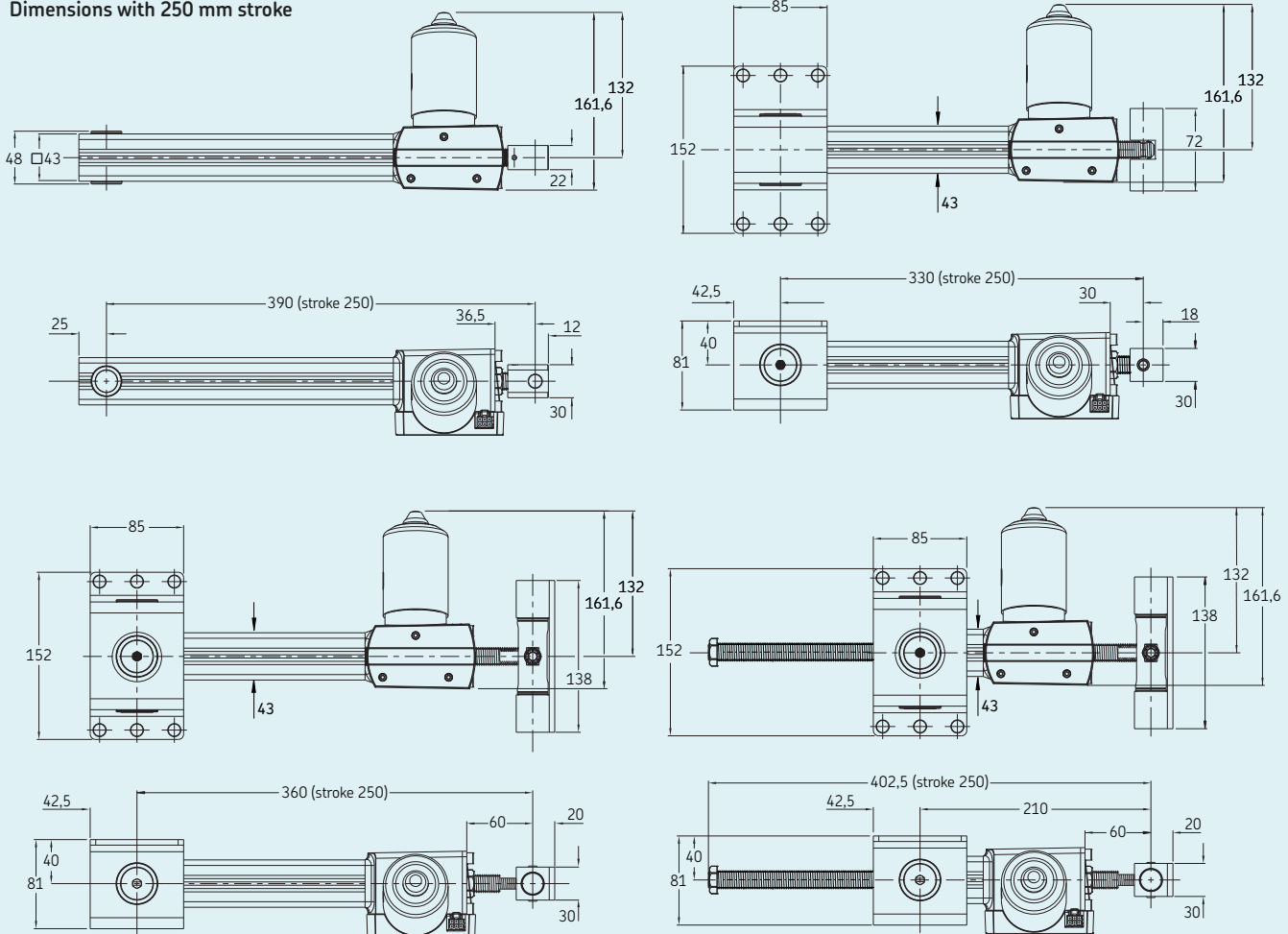
\* Reduced to 4 kN

### Technical data

	Unit	CAMT
Rated push load	N	6 000
Rated pull load	N	6 000
Speed (full load to no load)	mm/s	5 to 7,5
Stroke (S)	mm	50 to 250
Voltage	V DC	24
Current consumption	A	10
Duty cycle	%	10 (1/9 minutes)
Ambient temperature	°C	+10 to +40
Weight	kg	5,8 (1)

1) Stroke 250 mm, without attachments

### Dimensions with 250 mm stroke



skf.com

© SKF is registered trademarks of the SKF Group.

© SKF Group 2018

The contents of this publication are the copyright of the publisher and may not be reproduced (even extracts) unless prior written permission is granted. Every care has been taken to ensure the accuracy of the information contained in this publication but no liability can be accepted for any loss or damage whether direct, indirect or consequential arising out of the use of the information contained herein.

PUB 66/P8 17668/1 EN · October 2018