

# ACID line pure

for the storage of acids and lye in clean rooms.

Safety cabinet with wing doors suitable for the storage of acids and lye in clean rooms.

**DIN EN 14727**  
LABORATORY  
FURNITURE STANDARD

Tested safety at a high level including:



**Tested safety at a high level including:**

- TÜV-tested to DIN EN 14727 (laboratory furniture standard).

**Construction:**

- Polycarbonate handle protection.
- Plastic „U“-type handles.
- Outer carcass made from powder-coated sheet steel.
- High-quality polyester powder for particularly smooth, closed surface

**Interior fittings:**

- Interior carcass made from polypropylene.
- 4 collection trays made from polypropylene.

**Colour:**

- Silver.



Ventilation and extraction at every level.



Adjustable height collection trays secured against accidentally being pulled out.



Door locked in position when closed and when doors open at an angle of 115°.



„U“ type handles made of plastic at an ergonomically favourable height.



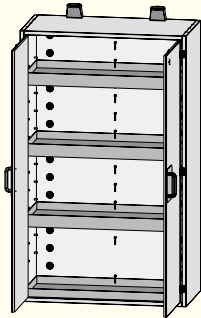
Security lock with profile half-cylinder integrated in the door.



## 1.14.1 ACID line pure XL



DIN EN



### ACID pure XL with:

4 collection trays

Ref. no.

- Interior fittings, polypropylen

20-201267-466

### Dimensions and weight

	Outer	Inner
Width in mm	1195	1136
Depth in mm	595	507
Height in mm	1955	1895
Weight in kg	268	

For further technical details, see pages 147 to 148.

### Max. storage capacity/standing surface

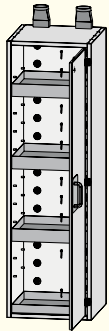
Quantity	Type of container	Size
89	Glass lab. bottle	0.5 litres
52	Glass lab. bottle	1 litre
21	Glass lab. bottle	2.5 litres

Accessories	Material	Width in mm	Depth in mm	Height in mm	Ref. no.
- Collection tray	PP	1135	480	89	20-81267-314

## 1.14.2 ACID line pure M



DIN EN



### ACID pure M with:

4 collection trays

Ref. no.

- Interior fittings, polypropylen

20-200667-466

### Dimensions and weight

	Outer	Inner
Width in mm	595	536
Depth in mm	595	507
Height in mm	1955	1895
Weight in kg	155	

For further technical details, see pages 147 to 148.

### Max. storage capacity/standing surface

Quantity	Type of container	Size
33	Glass lab. bottle	0.5 litres
21	Glass lab. bottle	1 litre
9	Glass lab. bottle	2.5 litres

Accessories	Material	Width in mm	Depth in mm	Height in mm	Ref. no.
- Collection tray	PP	535	480	89	20-80667-314

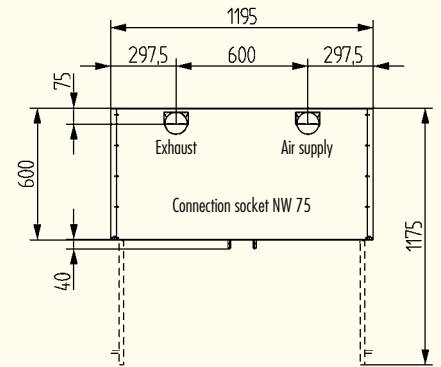
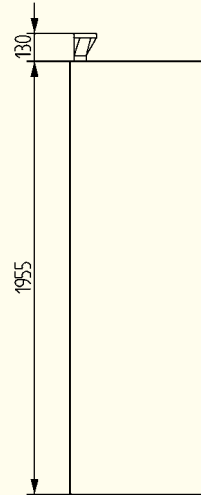
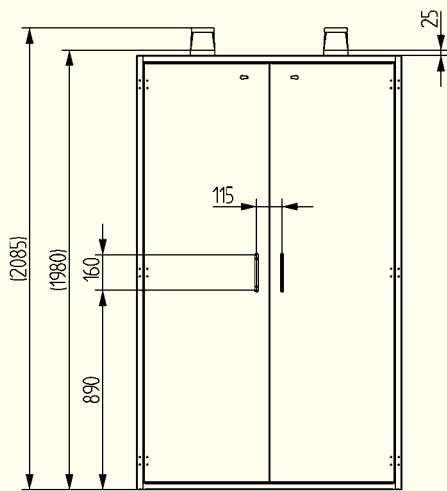
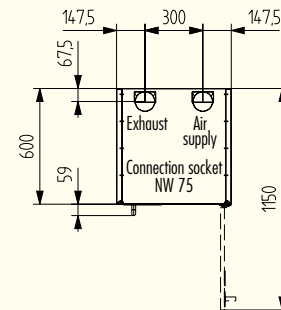
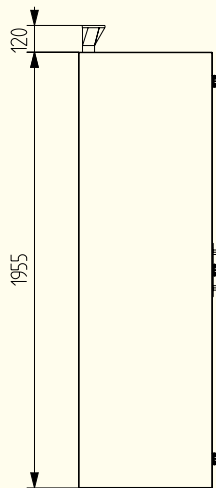
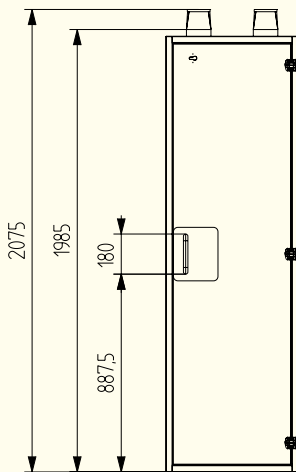
## Technical specifications - ACID pure

### Dimensions - interior fittings:

	Model size					
	M			XL		
	Width	Depth	Height	Width	Depth	Height
Collection tray in mm	535	480	89	1135	480	89

### Technical details:

		Model size	
		M	XL
Load bearing capacity of the collection trays with uniformly distributed load (maximum loadability/shelf)	in kg	60	60
Maximum volume of the largest individual container, which may be stored on the cabinet's respective standing surface	in l	14	30
Collection volume per collection tray	in l	14	30
Volumetric flow rate for 10-fold air exchange	in approx. m <sup>3</sup> /h	6	9
Pressure drop in the cabinet	in Pa.	<1	<1

**Front view**
**Side view**
**Top view**
**ACID pure XL**

**ACID pure M**

**1.14**